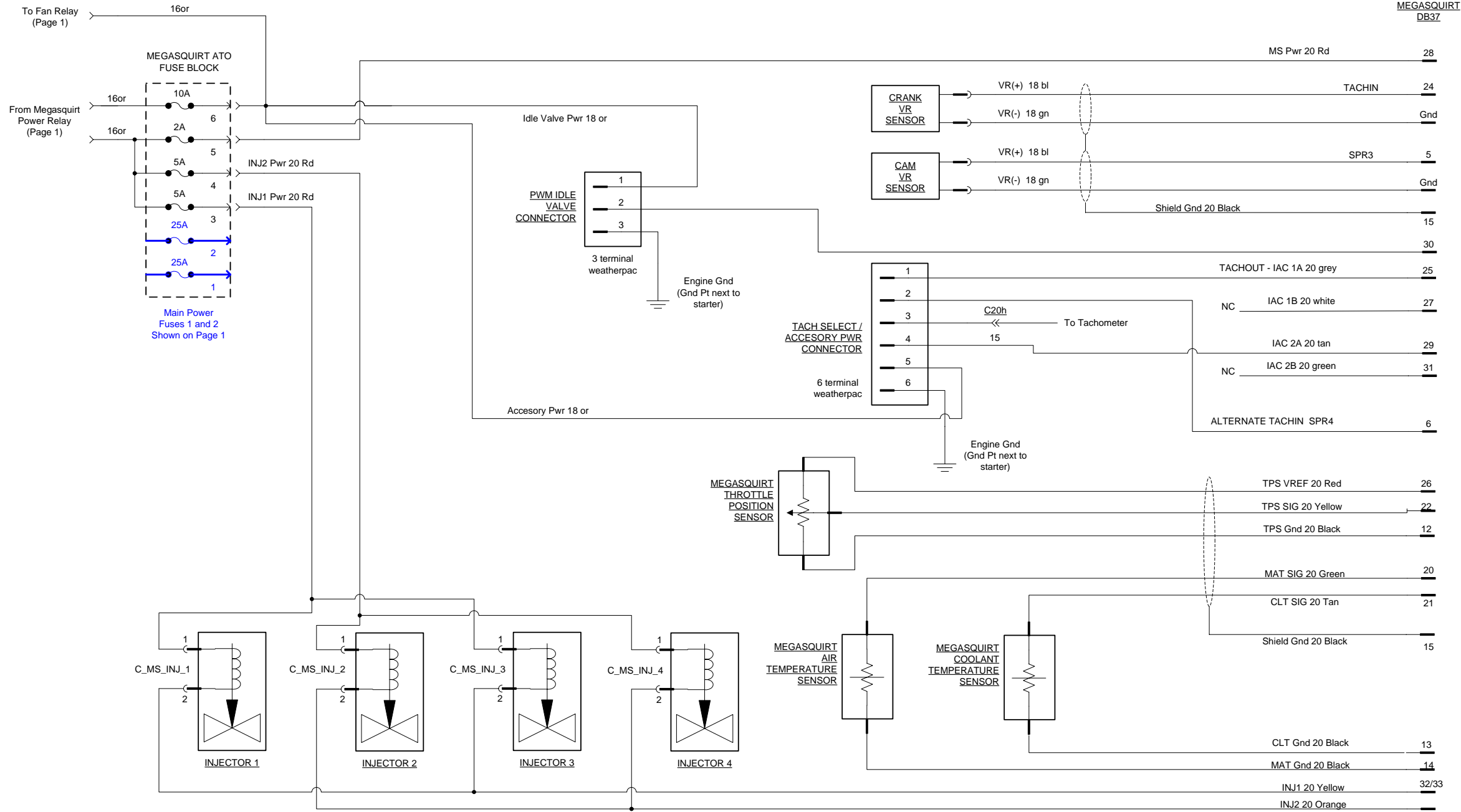
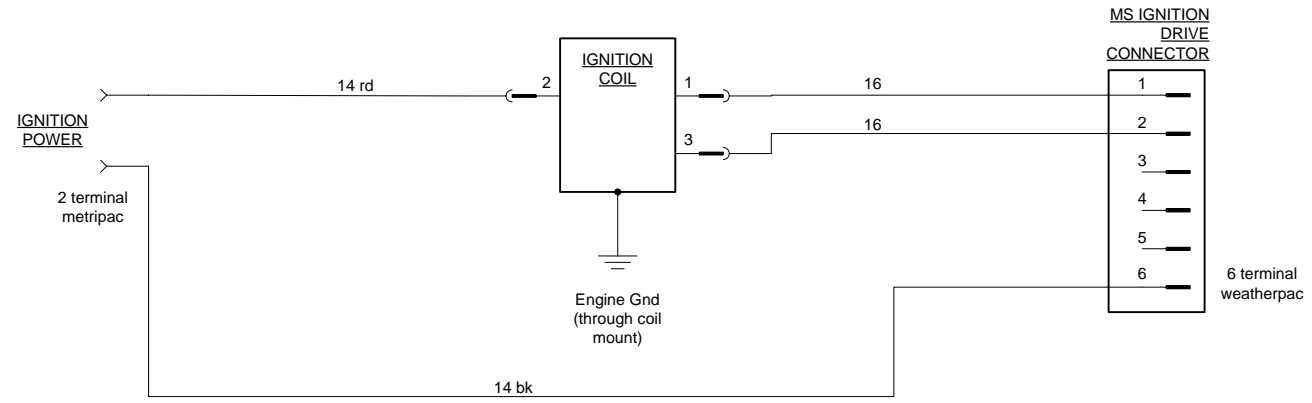


**NOTE:**  
 Components on this page shown in **BLUE** are modified/new to support the Megasquirt modifications. All other components are part of the stock engine compartment harness.

Original connector/terminal labels are used wherever possible to match the ETM diagrams.



# IGNITION HARNESS FOR WASTED SPARK



# ENGINE HARNESS DIMENSIONS

NOTES:  
Measurements in inches.  
Not drawn to scale.

